



Specification Information

Product Code: 800-S

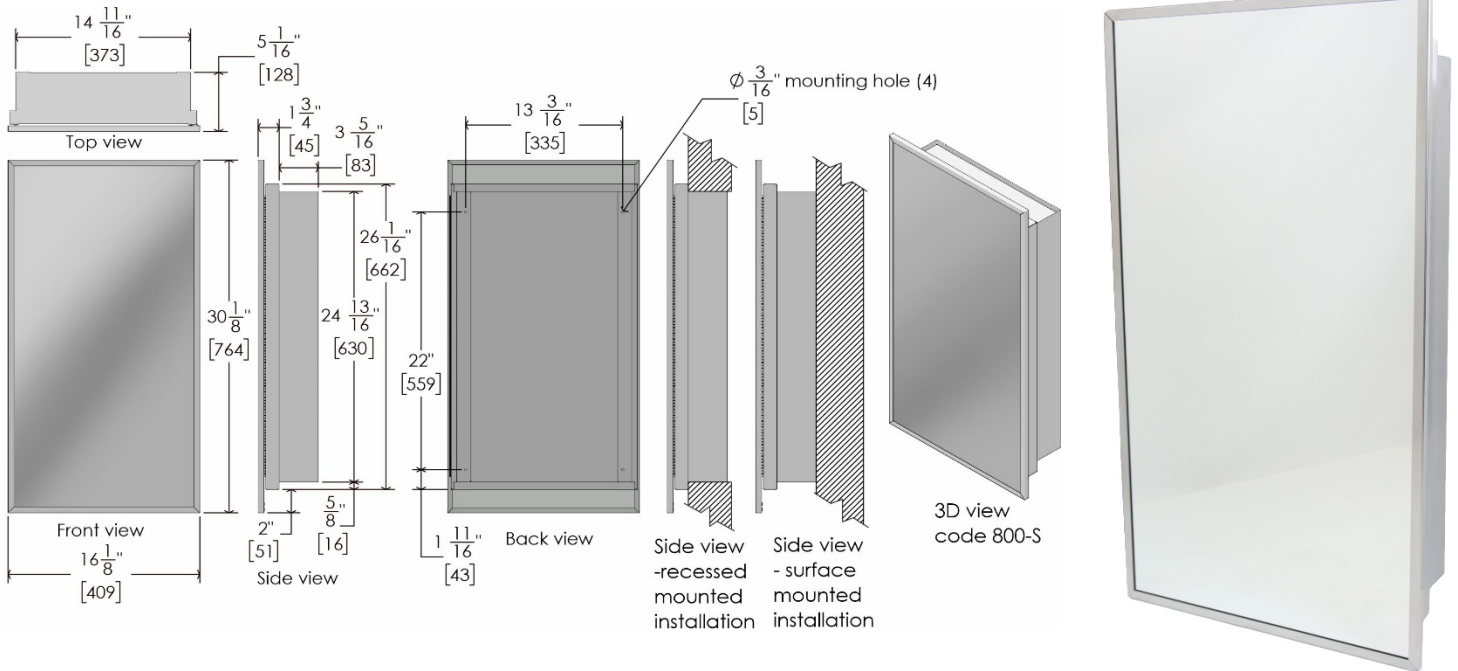
Product Name: Stainless Steel Medicine Cabinet

Individual Carton UPC: 624622800109

Individual Carton Shipping Dimensions: 43.2cm W x 83.8cm H x 14.0cm D (17" W x 33" H x 5½" D)

Individual Carton Shipping Weight: 10.9kg (24 lbs)

Site Location: Frost's 800-S stainless steel medicine cabinet is a durable economical all steel unit suitable for any location. Typically, these units are used in hospitals, long term care facilities, hotels, and other commercial properties. The durable construction and high quality of this product make it a popular choice.



Features:

- Canadian made with heavy duty stainless steel
- Cabinet can be inverted depending on preferred door swing
- Magnetic retaining catch on door
- Mirror door has painted steel back
- Full length stainless steel piano hinge on door
- Standard float glass mirror with stainless steel back
- Two adjustable stainless steel shelves
- Unique design allows for surface or recessed mounting

Materials:

- One piece 24 gauge stainless steel channel frame in bright annealed finish
- All welded stainless steel construction, 22 gauge type 304 no. 4 brushed finish

Product Dimensions:

- 40.9cm W x 76.5cm H x 12.9cm D (16.1"W x 30.1" H x 5.1" D)

Frost Products Ltd

5276 John Lucas Drive
Burlington, ON, Canada, L7L5Z9

(905) 332-5700
1-800 667-5094

info@frostproductsltd.com
www.frostproductsltd.com



Specification Information

Product Weight:

- 10.4kg (23 lbs)

Installation Guidelines: Provide rough opening 38.5cm W x 64.5cm H x 10.2cm D (15½" W x 25¾" H x 4" D). Use the appropriate screws, anchors, and other tools one may require for installation. Please note that it is recommended that all installations be conducted by a qualified tradesperson. Failure to do so may result in serious injury. Please read and follow any additional installation guidelines provided with the products.

Maintenance: Normal preventative maintenance and cleaning will keep Frost products functioning properly and may extend normal product life. Products should be wiped down with a damp soft cloth periodically. Approved stainless steel cleaner may be used to clean scuffs or fingerprints on stainless surfaces. Do not use harsh detergents or chemical cleaners. For general dirt and blemishes on painted steel or plastic use warm water and mild soap, or a general mild cleaning solution. When using any type of cleaning solution, spray onto a discrete area to test before full usage. After the cleaning agent is applied, wipe off with a clean soft cloth or sponge. For stainless steel please do not spray with any product containing bleach, acids, or chlorides, which can be found in many cleaning products such as toilet bowl cleaners. Use of these cleaning solutions may cause discolouration and if used for prolonged periods of time they can eat away at points in the stainless steel. If discolouration occurs, the use of an approved stainless steel cleaner and a firmer scrub pad, such as a Scotch Brite Pad #7447, may remove the markings. Wipe away any debris from the area and gently rub with the pad. Then spray the area with a stainless steel cleaner/polish and rinse and dry. Always wipe with the grain direction for stainless steel products. If a cleaning agent has begun to eat away at the steel on a unit then the unit will likely need to be replaced. For stainless steel soap dispensers please avoid use of ammonium-based soaps as these can also cause discolouration and/or damage to the dispensers. The stainless steel that Frost Products uses is of high quality and stainless steel is resistant to rust. However, discolouration that appears to be rust can be caused by cleaning solutions and soaps mentioned above. It is important to discontinue use of any cleaning agent or soap if discolouration begins to occur. Clean off the discolouration as quickly as possible to avoid any permanent damage to the unit. Maintenance staff should be taught how to recognize the signs that they are not using the appropriate cleaning products and how to correctly maintain stainless steel items.

Mirror Warranty: Frost Products Ltd is a leading manufacturer of mirrors for commercial and institutional installations. Frost offers vandal resistant channel frame, frameless, and Barrier free tilt designs. We offer standard float glass, tempered glass, laminated glass, and stainless steel face options. All Frost mirrors are covered under our standard complete product warranty which is; If any product or part proves to be defective within 12 months from date of shipment from the factory it will be repaired or replaced without any charge including freight costs when authorized. Costs resulting from the installation or removal of defective products are not covered under this warranty. Discolouration to stainless steel parts resulting from exposure to harsh environmental and / or chemicals are not considered to be defects in workmanship or material and are not covered under warranty. Mirror glass is conforming to GS12GD5A type 1B, guaranteed against silver spoilage for 10 years. Note; on tempered mirrors the tempering process may produce slight distortion in mirror reflection when viewed from a distance. Mirror back plate consists of shock resistant primary back combined with galvanized second back plate and vandal resistant mounting system. All stainless steel face mirrors use 20 ga. XL buff stainless steel reflective surfaces. Cleaning of mirrors is very important. Solid soils such as paint, excess edge sealant, felt buttons, tape, or adhesives should be razor-bladed off. Cleaning solutions should be mild, and preferable not contain ammonia, vinegar, bleaches, or solvents. Cleaning solutions should be used to dampen the wiping cloth. Do not spray directly on mirror. Spraying directly on a mirror can allow material to run down and provide a source of edge contamination. Damaged caused by cleaning solutions are not covered under warranty.

Frost Products Ltd

5276 John Lucas Drive
Burlington, ON, Canada, L7L5Z9

(905) 332-5700
1-800 667-5094

info@frostproductsltd.com
www.frostproductsltd.com