



**Technical Data**

**MIRROR WITH STAINLESS STEEL CHANNEL FRAME**

**B-1656  
B-1658  
B-1659**

**SPECIAL-ORDER REFLECTIVE SURFACES Specify Series Required:**

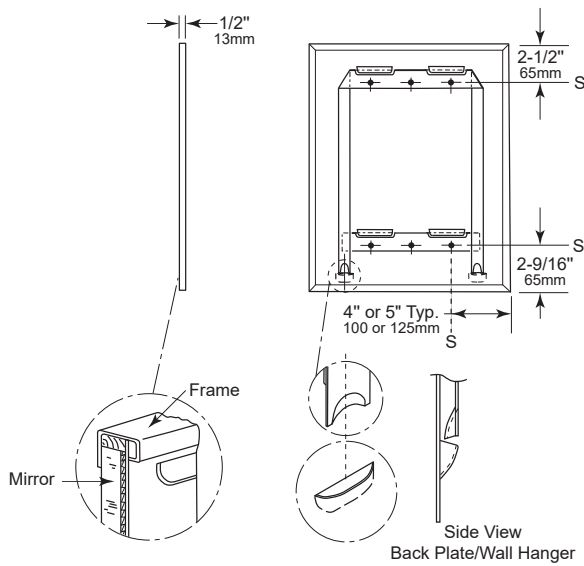


**Designer's Notes:**

1. Special-order only.
2. All Bobrick framed mirrors are manufactured to overall width and height dimensions. EXAMPLE: A 24" x 36" (61 x 91cm) mirror will be furnished 24" x 36" (61 x 91cm) outside-of-frame to outside-of-frame.
3. To specify sizes use Series Number followed by width then height in inches. EXAMPLE: B-1656 2024.
4. Bobrick framed mirrors are manufactured to a tolerance  $\pm 1/8"$  (3.2mm).
5. For sufficient space to lift mirror onto wall hanger, provide  $2-7/8"$  (75mm) minimum clearance above center line of mounting screw holes.
6. Provide 1" (25mm) minimum clearance at bottom of mirror for engaging locking screws and 1" (25mm) clearance on each side.

**SNAP LOCKING DESIGN (Rear View)**

Figure: 1

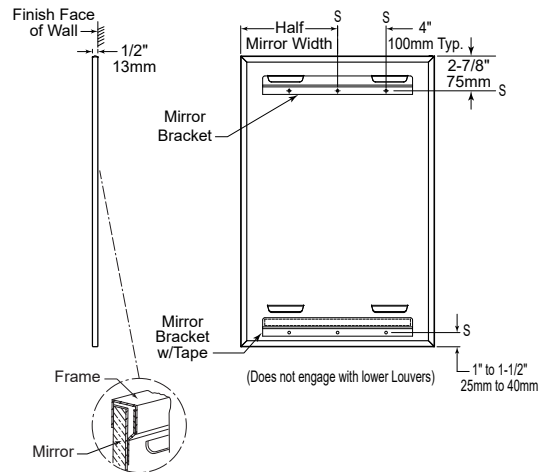


- ❑ B-1658 Series Tempered Glass Mirror Standard Sizes —  
B-1658 1830 18" x 30" (46 x 76cm)  
B-1658 2436 24" x 36" (61 x 91cm)

**"2S" Tab Design (Rear View)**

- for all other mirrors up to a width of 36"

Figure: 2



- ❑ B-1656 Series Polished Stainless Steel Mirror —  
12" x 12" (30 x 30cm) minimum.  
36" x 60" (91 x 152cm) maximum.
- ❑ B-1658 Series Tempered Glass Mirror —  
18" x 30" (46 x 76cm) or  
30" x 18" (76 x 46cm) minimum
- ❑ B-1659 Series Laminated Glass Mirror —  
16" x 12" (41 x 30cm) or  
12" x 16" (30 x 41cm) minimum

**Note:** Mirrors greater than 36" in width will have multiple hanger brackets with a typical 8" off each edge.

**Maximum measurements per Mirror-Series:**

MODEL NUMBERS	OVERALL SIZE	
	W	H
<b>B-1656 Series - Polished stainless steel</b>	60" (152cm)	36" (91cm)
<b>B-1658 Series - Tempered Glass Mirror</b>	96" (244cm)	48" (122cm)
	48" (122cm)	96" (244cm)
<b>B-1659 Series - Laminated Glass Mirror</b>	84" (213cm)	48" (122cm)
	48" (122cm)	84" (213cm)

continued . . .

## MATERIALS:

**Frame** — Type-430 stainless steel, 1/2" x 1/2" x 3/8" (13 x 13 x 9.5mm) channel with bright polished finish for snap locking design; 1/2" x 1/2" x 1/2" (13 x 13 x 13mm) channel for "2S" Tab Design. One-piece frame with 90° mitered corners. Galvanized back has integral horizontal hanging brackets near the top for hanging the mirror and near the bottom to prevent the bottom of the mirror from pulling away from the wall. Double-sided tape secures mirror to concealed wall hanger.

**Mirror** — (B-1656 Series) Stretcher leveled stainless steel with reflective, highly polished strip finish. Tempered masonite backing (B-1658 Series) No. 1 quality, 1/4" (6mm) tempered select float glass: selected for silvering and electrolytically copper-plated by the galvanic process.

(B-1659 Series) 1/4" (6mm) thick. Two pieces of 1/8" (3mm) select float glass, selected for silvering and laminated with 0.015" (0.381mm) thick clear vinyl in the center, and electrolytically copper-plated by the galvanic process.

**Note:** These reflective surfaces resist breakage and provide a measure of safety from broken glass, but differ in color and reflective quality from standard glass mirrors.

Backs of all glass mirrors are protected by full-size, shock-absorbing, water-resistant, nonabrasive, polyethylene padding.

**Concealed Wall Hanger(s)** — For snap locking design: Heavy gauge steel construction. Incorporates upper and lower members, which engage backplate louvers to keep mirror against the wall. For "2S"-Tab design: Incorporates upper bracket engaging in upper louver and double sided tape below the bottom louver securing mirror to concealed wall hanger.

## INSTALLATION:

Mount wall hanger on wall with screws (not furnished) at points indicated by an *S*. For plaster or dry wall construction, provide concealed backing to comply with local building codes, then secure wall hanger with screws (not furnished). For other wall surfaces, provide fiber plugs or expansion shields for use with screws (not furnished), or provide 1/8" (3mm) toggle bolts or expansion bolts.

**Snap Locking Design:** Hang mirror on wall hanger. Lock mirror to wall hanger by tightening Phillips-head locking screws that are concealed in bottom of frame at points indicated by a *T*.

**"2S" Tab Design:** Comprises of two brackets, while the bottom one is furnished with double side tape. Bottom hanger bracket's mounting holes must be 1" - 1 1/2" above mirror's bottom edge. Note: Bottom hanger bracket is not supposed to engage with louvers of mirror's backplate. Hang mirror on wall top hanger bracket with the top two louvers engaged behind top wall hanger bracket. To do this, mirror must be centered in front of the wall hanger horizontally, pressed only at the top against the wall approx. 1" (25mm) above final position and then lowered into final position. When lowering, pull mirror's bottom edge off the wall by preventing bottom bracket from engaging. Once lowered, mirror must be pressed against wall to engage with double sided tape of lower wall hanger bracket.

**Snap Locking Design** — Locking devices automatically secure mirror to concealed wall hanger when it is lowered into final position (see figure 3). Locking devices may be unlocked by inserting two flat blade screwdrivers behind each side of mirror near the bottom or under the bottom of the mirror and pulling mirror bottom forward and then up.

**"2S" Tab Design** — Double-sided tape secures mirror to concealed wall hanger by pressing mirror against double sided tape of lower hanger once it is lowered into final position (see figure 4).

### SNAP LOCKING DESIGN

(Front View)

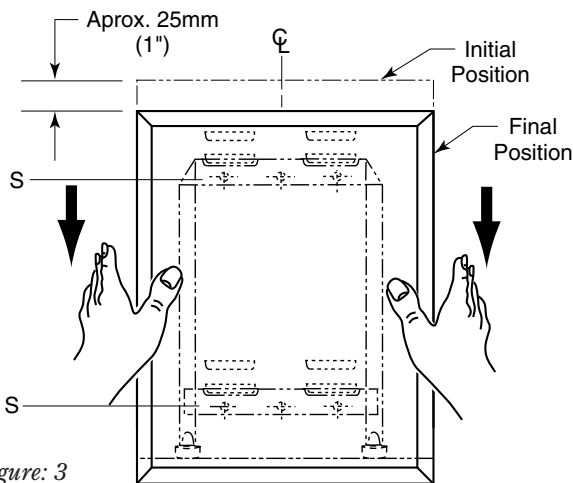


Figure: 3

### "2S" TAB DESIGN - UP TO 36" WIDTH

(Front View)

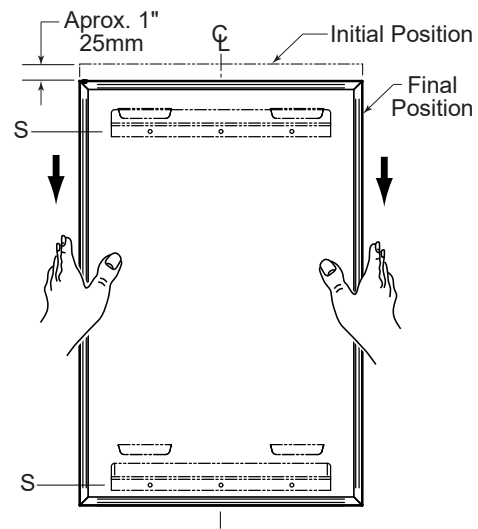


Figure: 4

## SPECIFICATION:

Mirror shall have a one-piece Type-430 stainless steel channel frame, with 90° mitered corners; all exposed surfaces shall have bright polished finish. Mirror shall be \_\_\_\_\_ (insert one: polished stainless steel, tempered glass, or laminated glass). Backs of all glass mirrors shall be protected by full-size, shock-absorbing, water-resistant, nonabrasive, thick polyethylene padding. Galvanized steel back shall have integral horizontal hanging brackets located near top for mounting on concealed wall hanger.

**Framed Mirror shall be Model \_\_\_\_\_ (insert model number) of Bobrick Washroom Equipment, Inc., Clifton Park, New York; Jackson, Tennessee; Los Angeles, California; Bobrick Washroom Equipment Company, Scarborough, Ontario; Bobrick Washroom Equipment Pty. Ltd., Australia; and Bobrick Washroom Equipment Limited, United Kingdom.**